

Luxurious stainless steel fittings

A LUXURY FINISH FOR HIGH-QUALITY BUILDS, IT MAKES SENSE TO FINISH WITH FLOLUX



flobux[®]
stainless steel pool fittings

CATALOGUE

THE SUPERIOR ALTERNATIVE TO PVC WALL
FITTINGS



Chris Adams

☎ +61 407 639 557

✉ chris@flox.com

<https://flox.com>

**Highly durable,
longer lasting**

than traditional white
and coloured PVC pool
fittings

**Aesthetically
superior**

with a mirror finish that
can disappear into its
surroundings

**Loved by clients
and distributors**

for luxury hotels, homes,
and super yachts

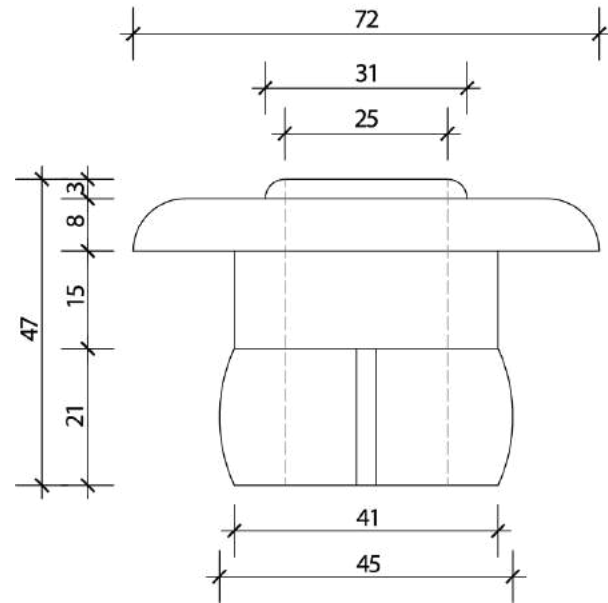


Product Overview

flojet 40mm	FLX001	5
flojet 40mm THREADED	FLX006	12
flojet 50mm	FLX007	13
flojet 55mm	FLX010	16
floair 25mm	FLX003	7
floair CONTROL	FLX008	14
flofloor FASCIA	FLX004	8
flofloor 40mm - 50mm	FLX005	9
flobubbler 25mm	FLX009	15
flosuction 40mm	FLX002	6
flosuction THREADED	FLX011	17
flolounger	FLX020	19

flojet

40mm/1,5 inch



PRODUCT **FloJet 40mm (1.5") Eyeball Return Jet, Push Fit, Self Set**

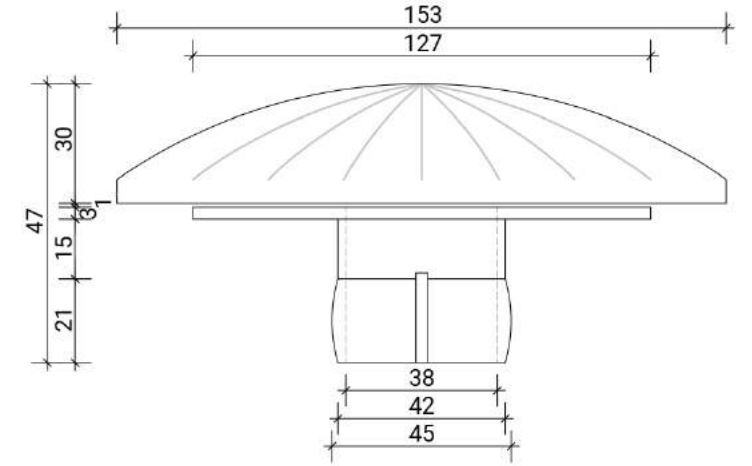
PRODUCT CODE: FLX001

MATERIAL: 316L Stainless Steel Fascia
PVC Backing

5

flosuction

40mm/1,5 inch



PRODUCT **FloSuction 40mm (1.5") Safety Suction, Push Fit, Self Set**

PRODUCT CODE: FLX002

MATERIAL: 316L Stainless Steel Fascia
PVC Backing (AS1926.3.2010 Approved 250L/PM)
Earthing required for this product
Australian Standards Approved

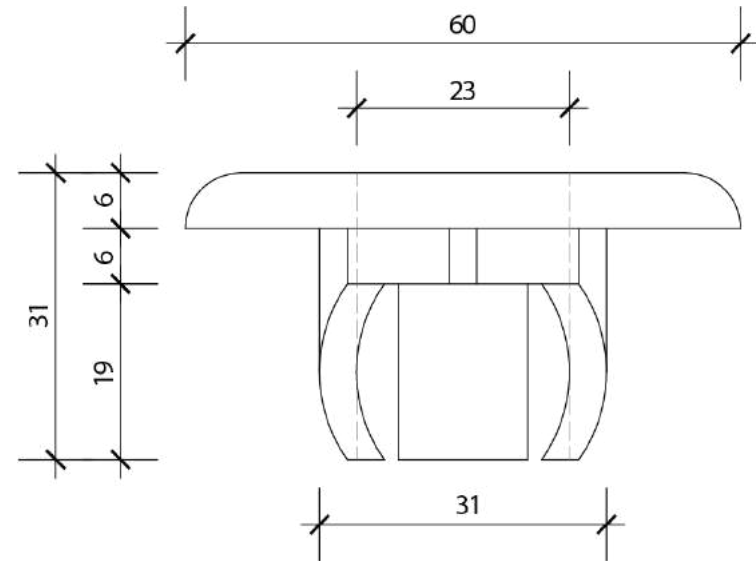
Minimum two flosuction's per common suction line

6



floair

25mm/1 inch



PRODUCT **FloAir 25mm (1") Air Diffuser, Push Fit, Self Set**

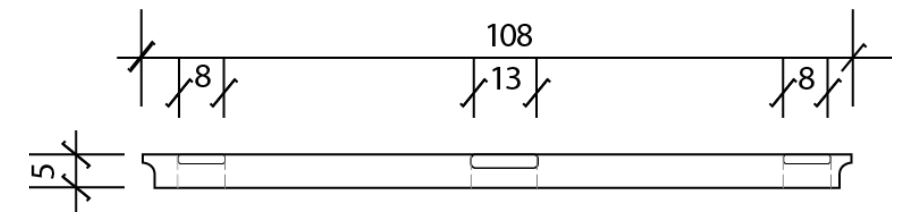
PRODUCT CODE: FLX003

MATERIAL: 316L Stainless Steel Fascia
PVC Backing

7

flofloor

FASCIA



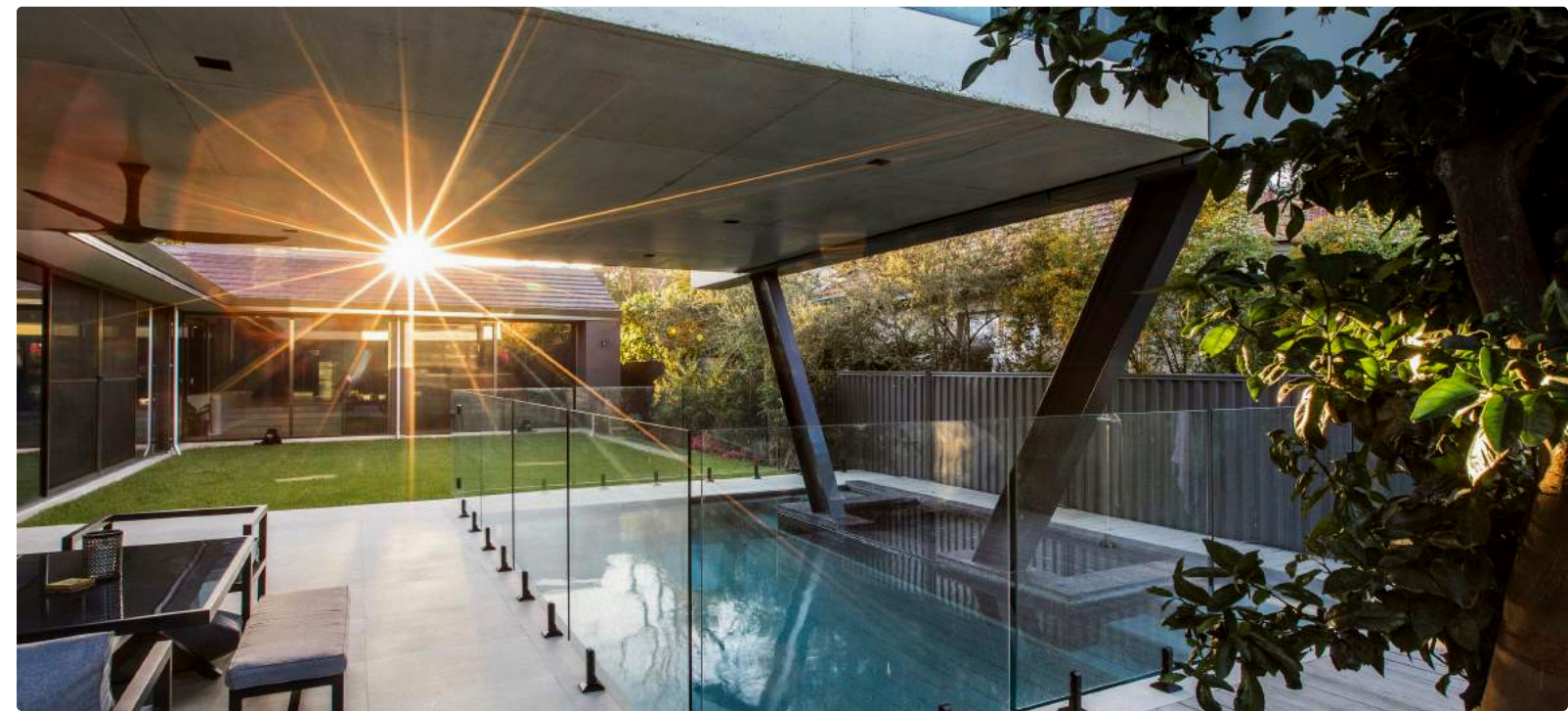
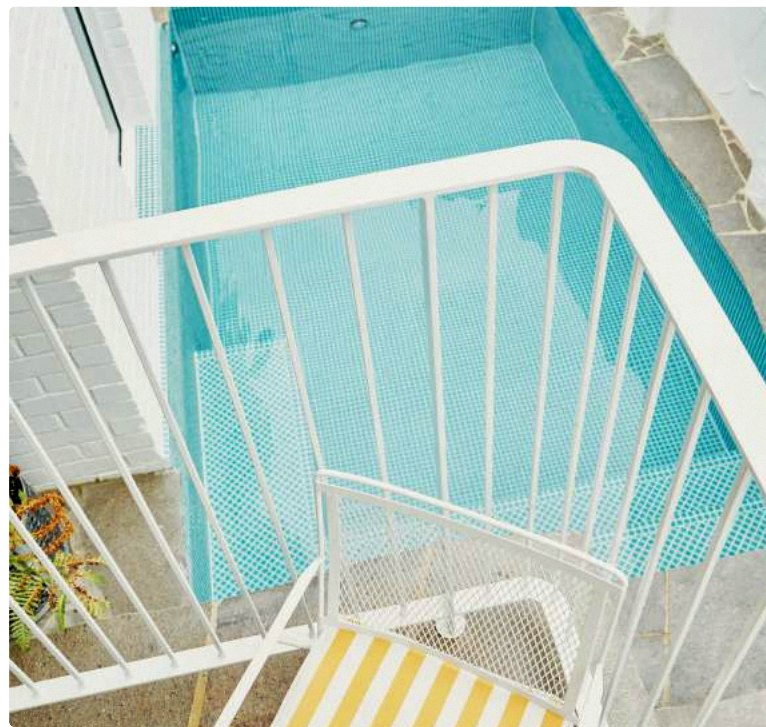
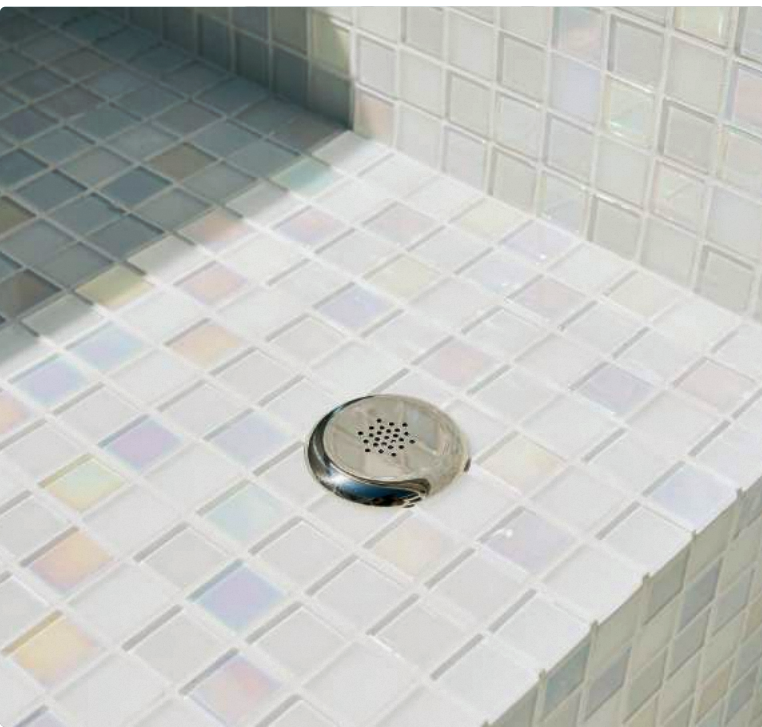
PRODUCT **FloFloor Fascia, Screw Fastened**

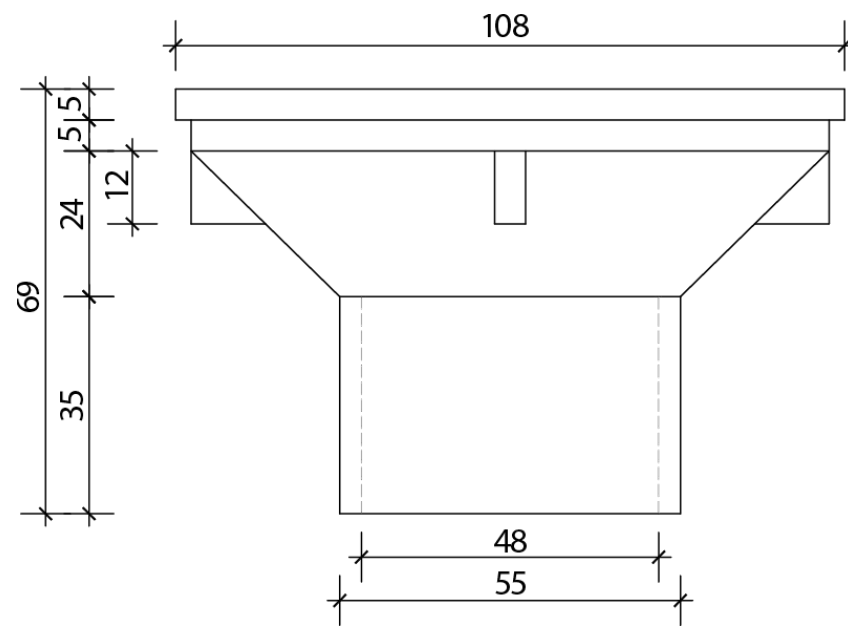
PRODUCT CODE: FLX004

MATERIAL: 316L Stainless Steel Fascia
FloFloor fascia can be used with Waterco and Hayward
PVC Floor returns

Earthing required for this product

8





PRODUCT

**FloFloor 40mm & 50mm (1.5"-2")
Floor Inlet, Slip Fit-Glued**

PRODUCT CODE:

FLX005

MATERIAL:

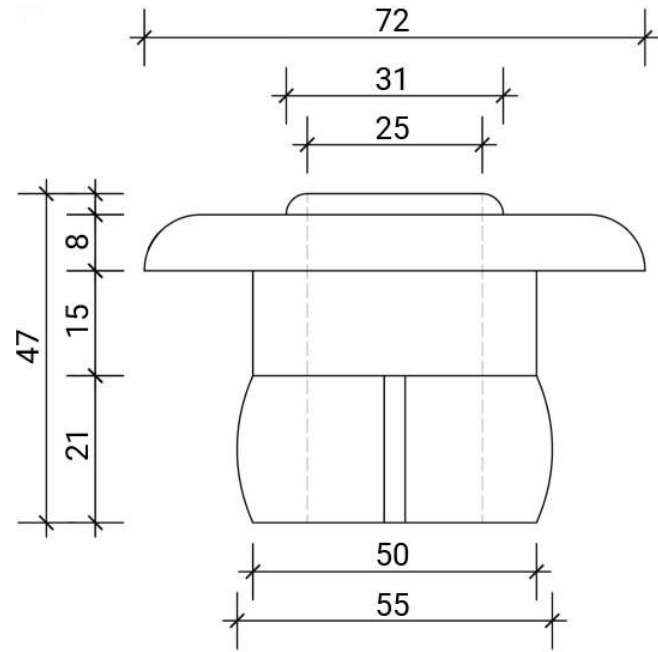
316L Stainless steel Fascia,
PVC Backing

Earthing required for this product



flojet

50mm/2 inch



PRODUCT **FloJet 50mm (2") Eyeball Return Jet, Push Fit, Self Set**

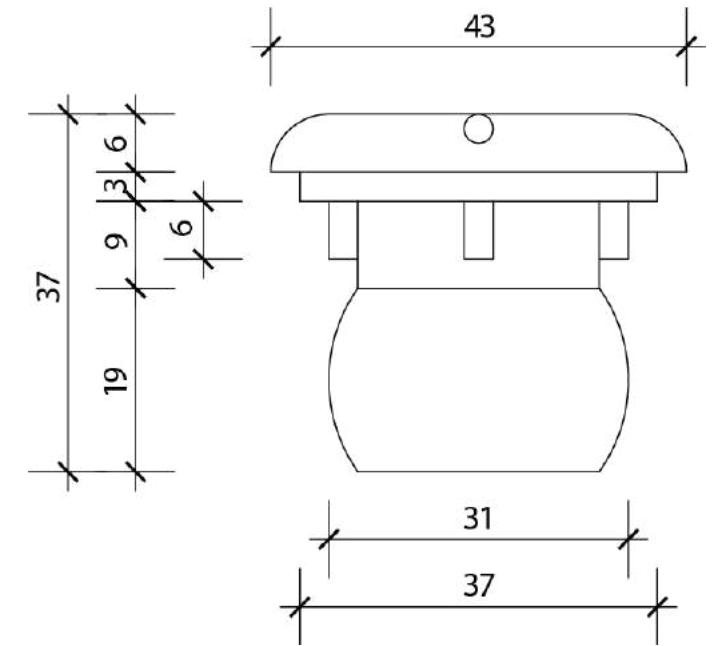
PRODUCT CODE: FLX007

MATERIAL: 316L Stainless Steel Fascia
PVC Backing

13

floair

CONTROL



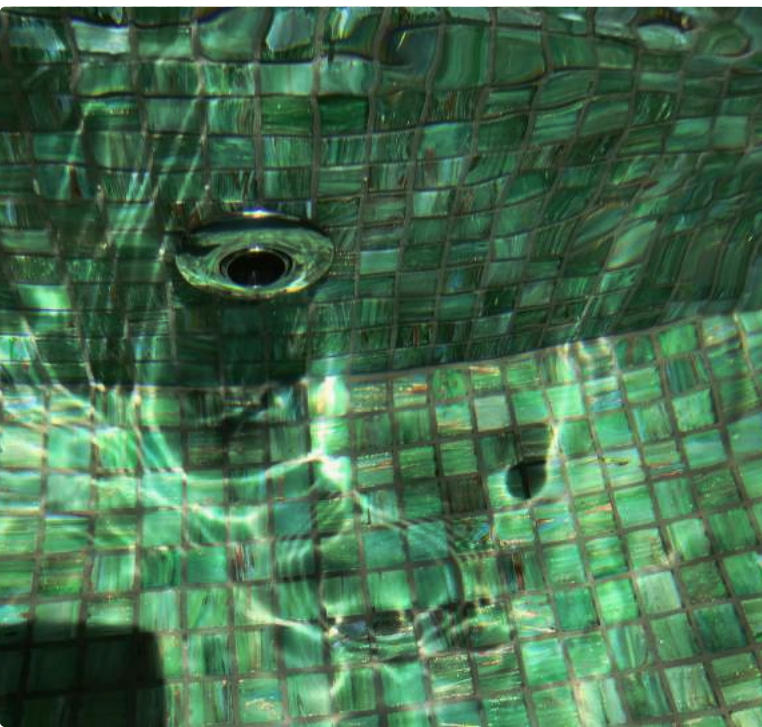
PRODUCT **Air Control 25mm (1") Air Venturi, Push Fit**

PRODUCT CODE: FLX008

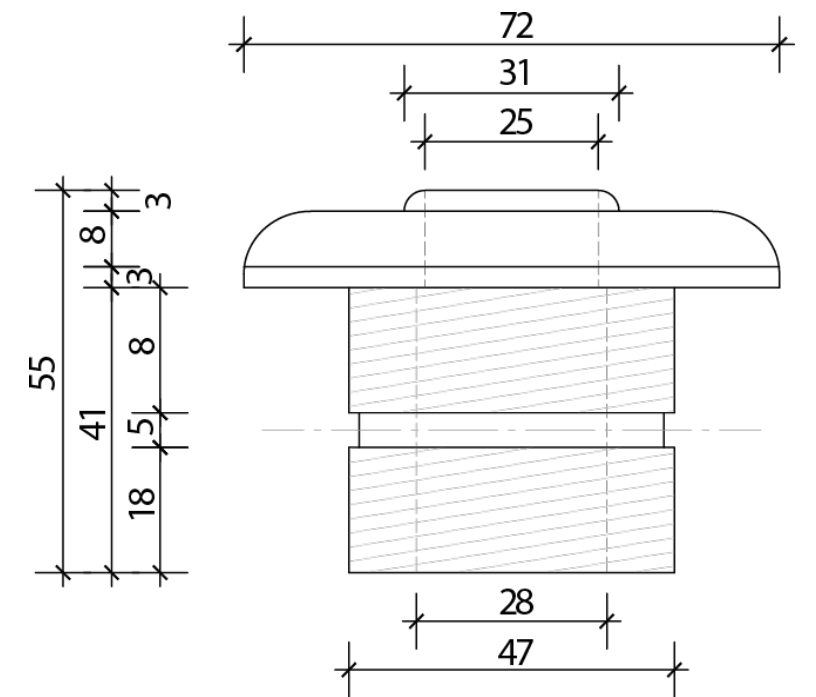
MATERIAL: 316L Stainless Steel Fascia
PVC Backing

Threaded faucet included

14



flojet 40mm/1,5 inch



PRODUCT

**12 FloJet Threaded 40mm (1.5")
Eyeball Return Jet, Threaded Fit
(Fibreglass Pool)**

PRODUCT CODE:

FLX006

MATERIAL:

316L Stainless Steel Fascia
PVC Backing

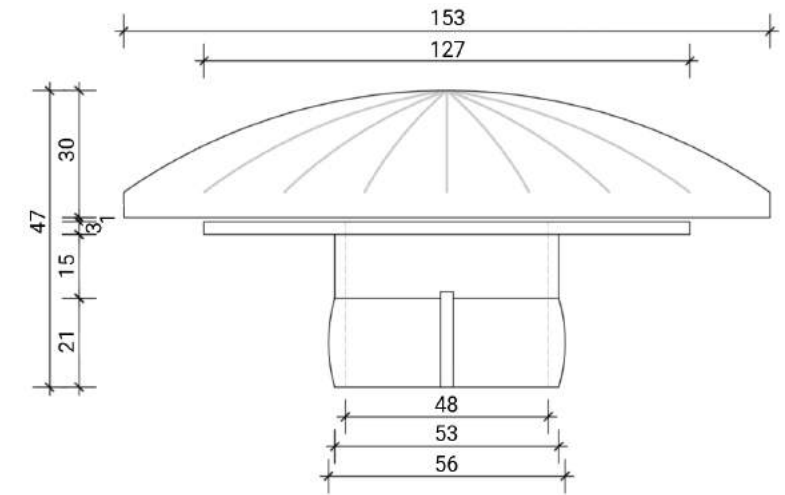
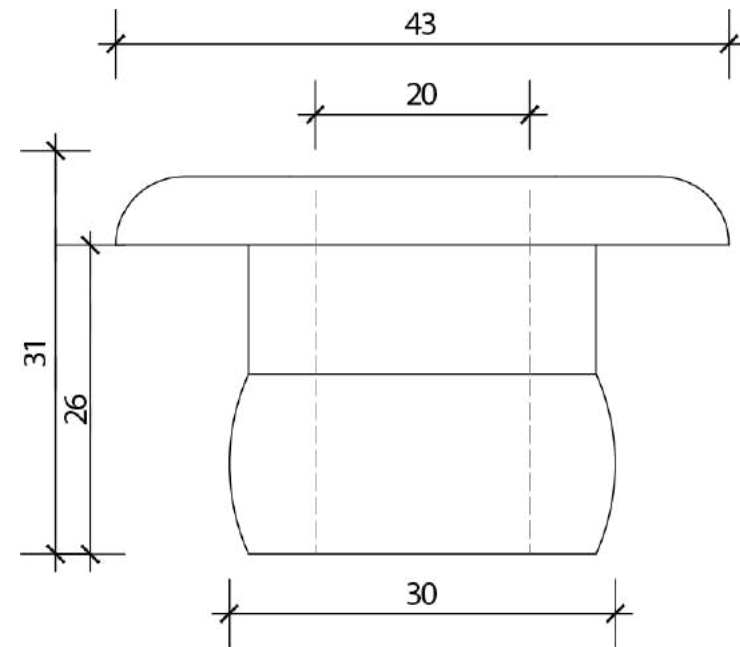
Threaded faucet included

flobubbler

25mm/1 inch

flojet

50mm/2 inch



PRODUCT **Bubbler 25mm (1") Dress Ring, Water Spout, Push Fit**

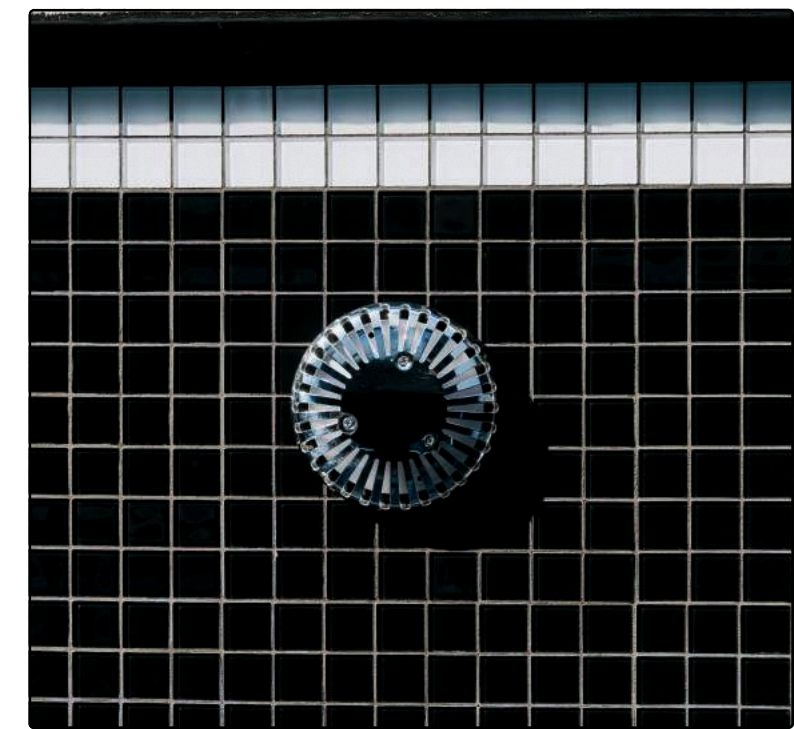
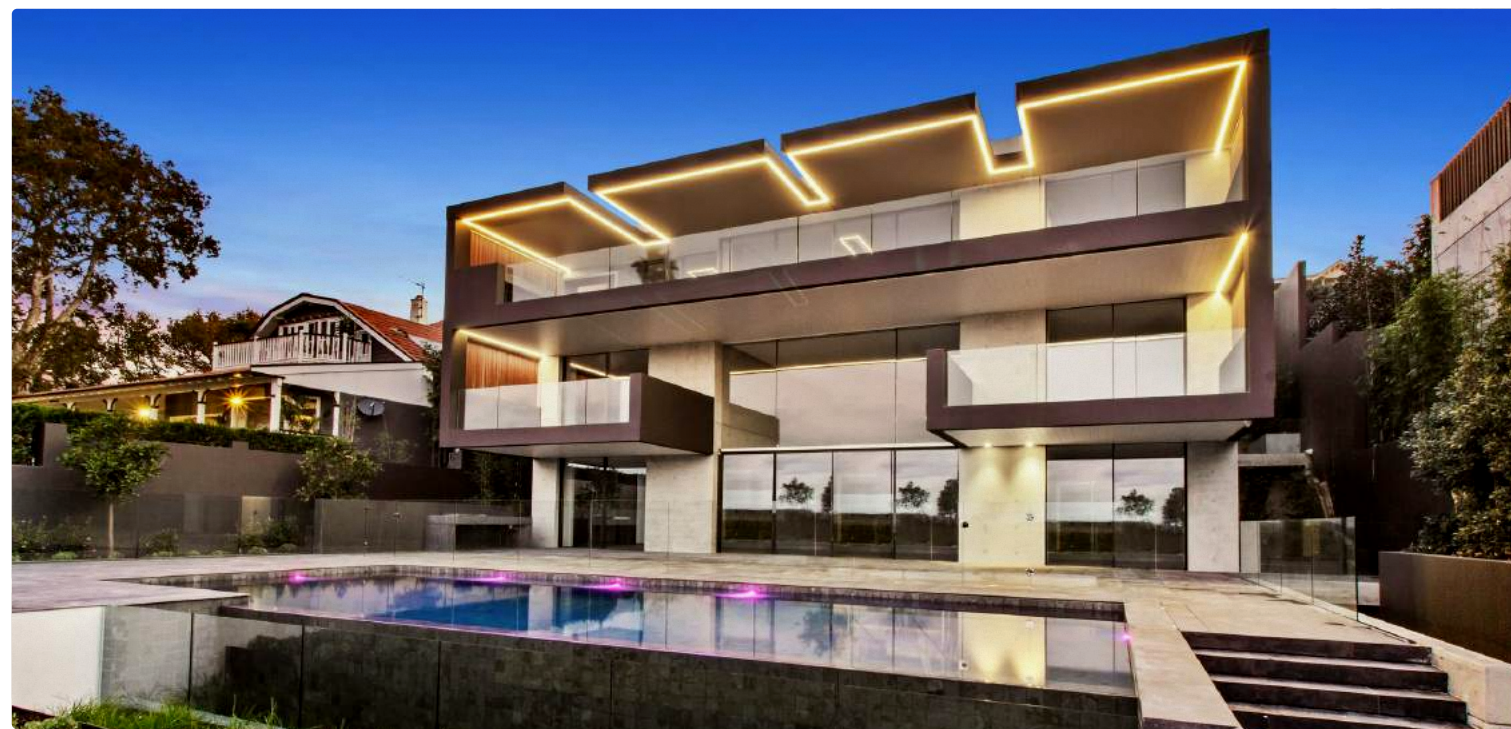
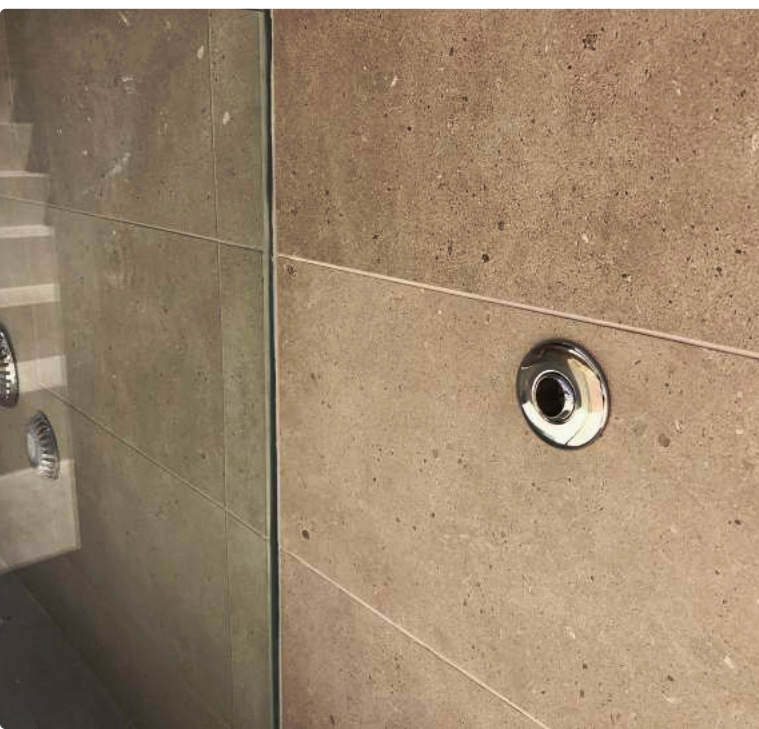
PRODUCT CODE: FLX009

MATERIAL: 316L Stainless steel only

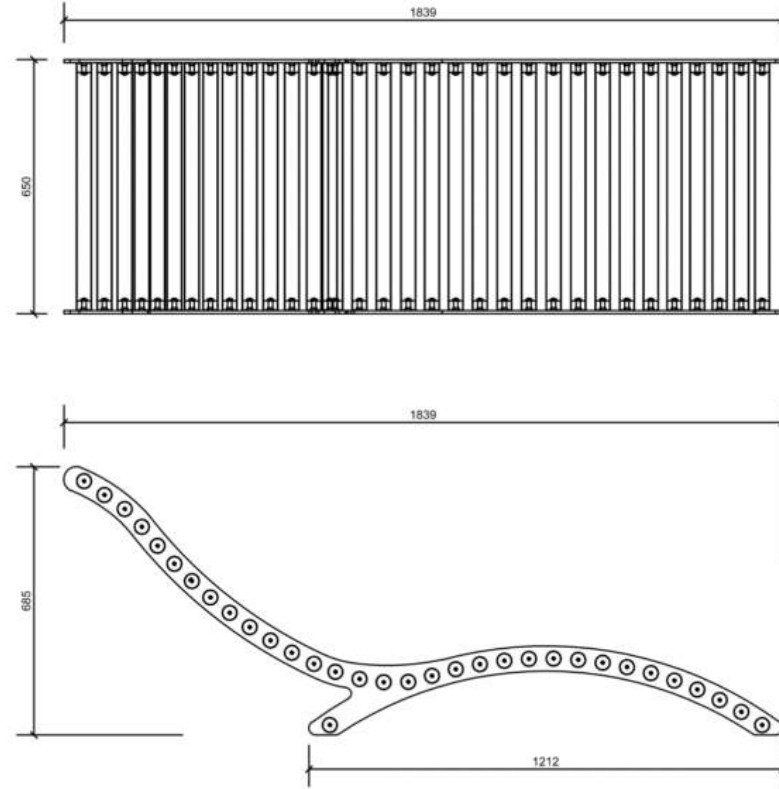
PRODUCT **FloSuction 50mm (2") Safety Suction, Push Fit**

PRODUCT CODE: FLX010

MATERIAL: 316L Stainless Steel Fascia
PVC Backing (AS1926.3.2010 Approved 280L/PM)
Earthing required for this product
Australian Standards Approved



floLounger



PRODUCT

FloLounger

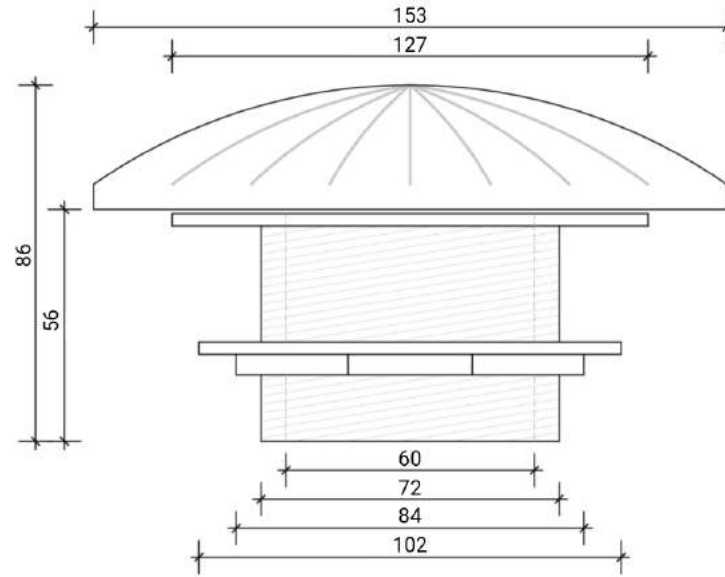
PRODUCT CODE:

FLX020

MATERIAL:

8mm 316 stainless steel sides;
316 stainless steel tube

Minimum two flosuction's per common suction line



PRODUCT

FloSuction 50mm (2") Safety Suction for Fibreglass Pools, Slip Fit + Locking Nut-Glued

PRODUCT CODE: FLX011

MATERIAL: 316L Stainless Steel Fascia
PVC Backing (AS1926.3.2010 Approved 280L/PM)
Earthing required for this product
Australian Standards Approved

Minimum two flosuction's per common suction line



Trusted by



Chris Adams

☎ +61 407 639 557

✉ chris@flobux.com

<https://flobux.com>